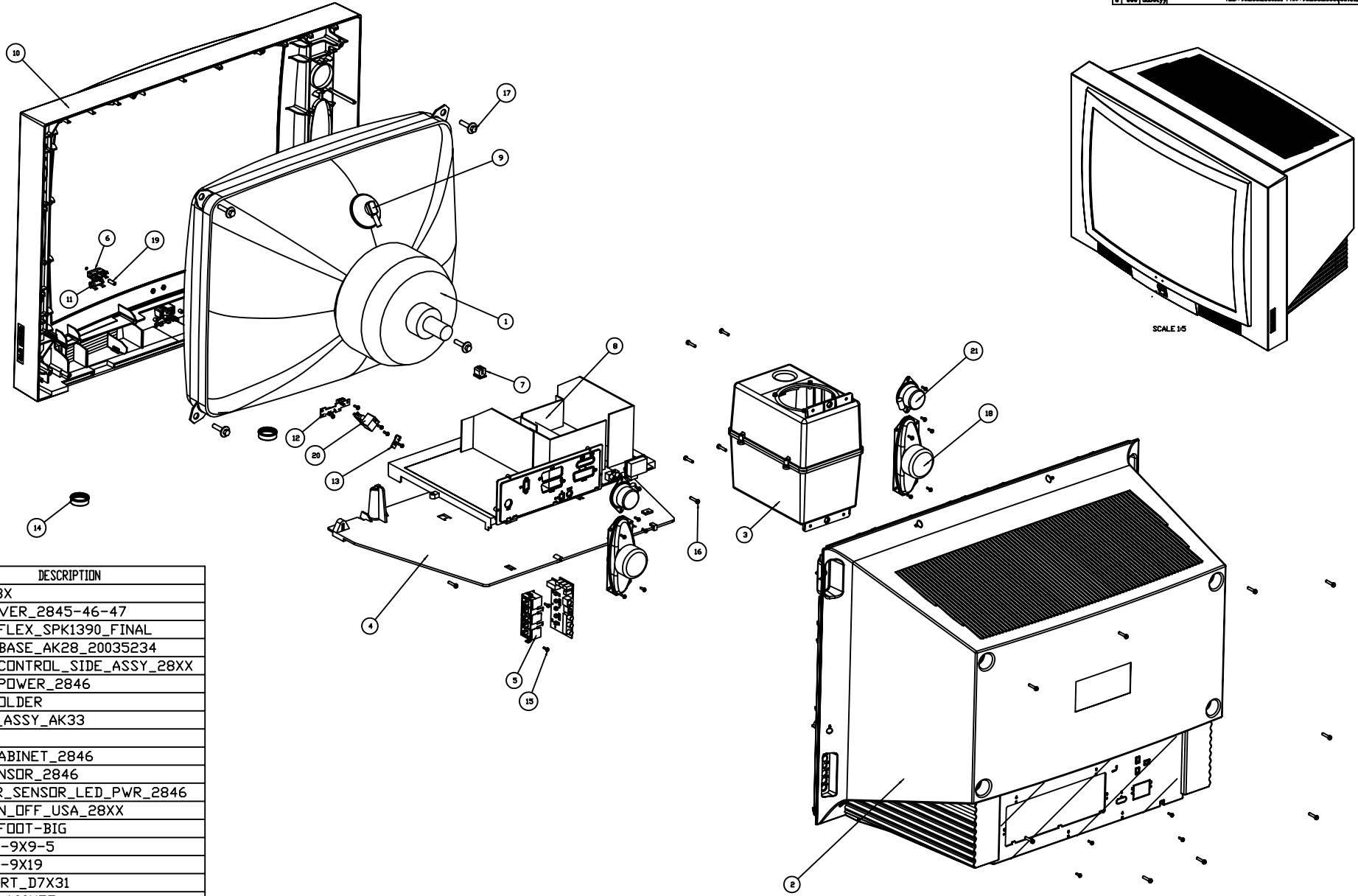


SHEET: /1	NAME: 2846 EXPLODED DIAGRAM	VER: KDD
SCALE: 1/5		
NO. REV. /0 DATE	MATERIAL	TOLERANCE: G
1 000 dd/nyy DRAFT	FILE:	0.00/0.50 0.010
2 000 dd/nyy DESIGN	DATE: 002-04-21	0.50/1.00 0.020
3 000 dd/nyy CHECK		1.00/2.00 0.030
4 000 dd/nyy APPR.	UNIT	2.00/3.00 0.040
5 000 dd/nyy	MM	3.00/5.00 0.050
6 000 dd/nyy		5.00/10.00 0.100
ELECTRONIC S&M VE. TEL. S. NANESA		0.00/0.50 0.010
TEL: +90.26.2300131 FAX: +90.26.2300130		0.00/0.50 0.010



SCALE 1/5

NO.	DESCRIPTION
1	A66ECY13X
2	BACK_COVER_2845-46-47
3	BASS_REFLEX_SPK1390_FINAL
4	BOTTOM_BASE_AK28_20035234
5	BUTTON_CONTROL_SIDE_ASSY_28XX
6	BUTTON_POWER_2846
7	CABLE HOLDER
8	CHASSIS_ASSY_AK33
9	EHT_CAP
10	FRONT_CABINET_2846
11	LENS_SENSOR_2846
12	PCBAS_IR_SENSOR_LED_PWR_2846
13	PCBAS_ON_OFF_USA_28XX
14	RUBBER_FOOT-BIG
15	SCREW_2-9X9-5
16	SCREW_3-9X19
17	SCREW_CRT_D7X31
18	SPEAKER_160X57
19	SPRING_SWITCH_ON_OFF_35004544
20	SWITCH_ON_OFF_28XX
21	TWEETER